



"innovation in its most functional form"

PRODUCT DATA SHEET

FA4TM

MECHANICAL FIXED FLANGE AND ROTATIONAL ALIGNMENT TOOL

ALIGNING FORCE:
50ft/lbs (33Nm = 4 T (40 kN)

TOOL WEIGHT = 8.6 kg (19 lbs)

KIT COMPONENTS

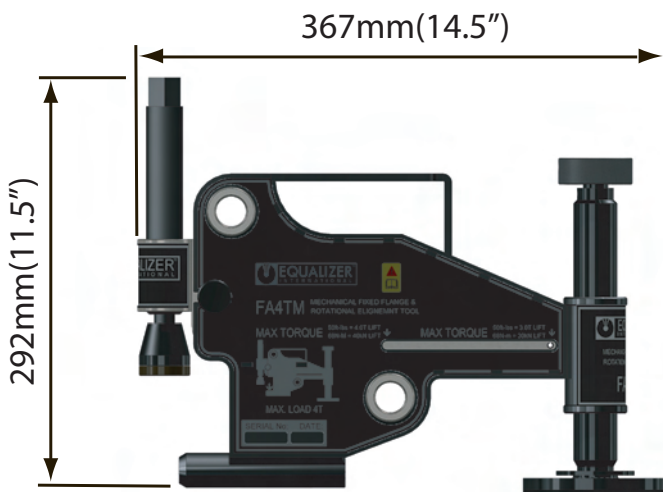
- 1 x FA4TM Tool
 - 1 x 50ft/lbs Torque Wrench
 - 1 x 22mm Socket
 - 1 x Ratchet Strap
 - 1 x Instruction Manual
 - 1 x Carry-Case
- Product Code: FA4TMSTD



WEIGHTS AND DIMENSIONS

Tool Weight = 8.6 kg (19 lbs)
Case Weight = 2.5 kg (5.5 lbs)
Gross Weight = 11.7 kg (25.8 lbs)

Carry-Case Dimensions:
600 x 370 x 200mm

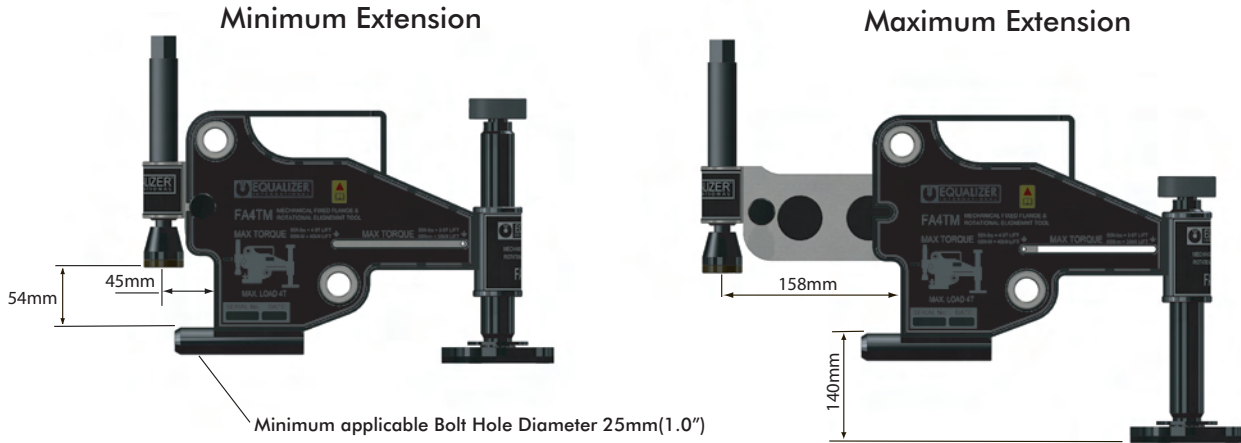


FA4™

MECHANICAL FIXED FLANGE AND
ROTATIONAL ALIGNMENT TOOL



"innovation in its most functional form"



RANGE OF APPLICATION

ASME Weld neck

Class	150	300	400	600	900	1500	2500
Range	16" - 30"	8" - 26"	4" - 24"	4" - 20"	2 1/2" - 14"	2" - 8"	1 1/4" - 4"

DIN Weld neck

Class	PN16	PN25	PN40	PN64	PN100	PN160
Range	24" - 80"	14" - 40"	14" - 20"	6" - 16"	4" - 8"	3" - 7"

SPO compact Weld neck

Class	150	300	600	900	1500	2500	5000	7500	10000	15000
Range	36" - 48"	20" - 34"	12" - 24"	10" - 20"	5" - 12"	3" - 10"	5" - 10"	3" - 8"	4" - 8"	2 1/2" - 5"

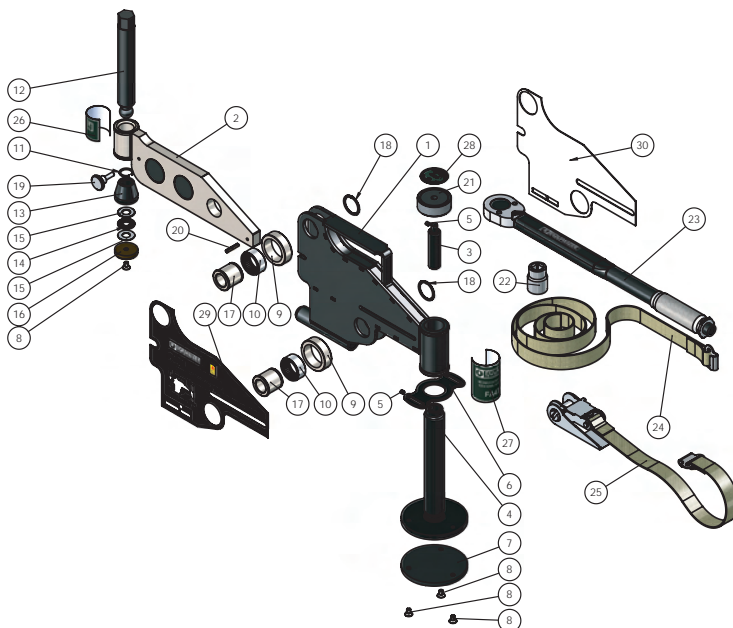
BS10 Weld neck

Class	A	D	E	F	H	J	K	R	S	T
Range	45" - 72"	33" - 48"	24" - 40"	20" - 36"	12" - 24"	5" - 16"	5" - 12"	5" - 10"	4" - 7"	3" - 5"

API 6B&6BX Weld Neck

Class	2000	3000	5000	10000	15000	20000
Range	4 1/16" - 9"	2 1/16" - 4 1/16"	2 1/16" - 4 1/16"	2 9/16" - 5 1/8"	1 13/16" - 3 1/16"	1 13/16" - 2 1/16"

PARTS LIST



Item	Part no	Description	Qty
01	220100-01	Main Body	01 ea
02	220200-01	Sliding Arm	01 ea
03	220700-01	Leg Scrw. Extension	01 ea
04	220600-01	Leg Screw	01 ea
05	300401-01	M5X6 Grub Srew	02 ea
06	230802-01	Buckle	01 ea
07	230803-01	Round Base Pad	01 ea
08	400901-01	Ctrs Screw M6X10	04 ea
09	401601-01	Outer Roller	02 ea
10	401501-01	Needle Bearing	02 ea
11	400401-01	Spring Clip	01 ea
12	400301-01	Screw Bolt	01 ea
13	400501-01	Swiver	01 ea
14	404701-01	Thrust Race	01 ea
15	404801-01	Thrust Washer	02 ea
16	400801-01	Friction Pad	01 ea
17	220500-01	Roller Shaft	02 ea
18	901601-01	Spirol Clip	02 ea
19	230203-01	M6 Release Knob	01 ea
20	403201-01	Roller Pin	01 ea
21	713001-01	Release Valve	01 ea
22	400204-01	22 mm Socket	01 ea
23	400203-01	Torque Wrench	01 ea
24	400280-01	Ratchet Strap	01 ea
25	400270-01	Ratchet	01 ea
26	070004-01	Logo For Wing	01 ea
27	070272-01	Equalizer L. For Boss	01 ea
28	070273-01	Drop Leg Knob Sticker	01 ea
29	070270-01	Body Plate Sticker L.	01 ea
30	070271-01	Body Plate Sticker R.	01 ea